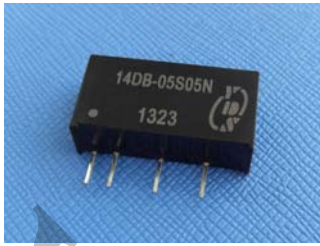




1000Vdc Isolation Single & Dual Output 1 Watt Dc-Dc Converter



FEATURES:

- 7PIN SIP Package
- High Efficiency up to 82%
- Output Continuous Short Circuit Protection
- Unregulated Output Types
- Internal SMD Construction
- Industry Standard Pinout
- Operating Temperature: -40°C TO +105°C



Specifications typical at TA=25°C, nominal input voltage and rated output current unless otherwise specified

Part Number	Output Voltage	Output Current	Ripple & Noise		Efficiency	Package Style
	Vdc	mA	Typ(mVp-p)	Max(mVp-p)	%Typ	
14DB-05S05N	5	200	60	100	80	1
14DB-05S09N	9	112	60	100	80	1
14DB-05S12N	12	84	60	100	80	1
14DB-05S15N	15	67	60	100	80	1
14DB-12S05N	5	200	60	100	80	1
14DB-12S09N	9	112	60	100	80	1
14DB-12S12N	12	84	60	100	82	1
14DB-12S15N	15	67	60	100	81	1
14DB-15S05N2	5	200	60	100	78	2
14DB-15S09N2	9	112	60	100	79	2
14DB-15S12N2	12	84	60	100	79	2
14DB-15S15N2	15	67	60	100	79	2
14DB-24S05N2	5	200	60	100	77	2
14DB-24S09N2	9	112	60	100	79	2
14DB-24S12N2	12	84	60	100	79	2
14DB-24S15N2	15	67	60	100	79	2
14DB-24S24N2	24	42	60	100	81	2
14DB-05D05N	±5	±100	60	120	80	1
14DB-05D09N	±9	±56	60	120	80	1
14DB-05D12N	±12	±42	60	120	80	1
14DB-05D15N	±15	±34	60	120	80	1
14DB-12D05N	±5	±100	60	120	80	1
14DB-12D09N	±9	±56	60	120	80	1
14DB-12D12N	±12	±42	60	120	82	1
14DB-12D15N	±15	±34	60	120	81	1
14DB-15D05N2	±5	±100	60	120	78	2
14DB-15D09N2	±9	±56	60	120	78	2
14DB-15D12N2	±12	±42	60	120	78	2
14DB-15D15N2	±15	±34	60	120	78	2
14DB-24D05N2	±5	±100	60	120	78	2
14DB-24D09N2	±9	±56	60	120	79	2
14DB-24D12N2	±12	±42	60	120	79	2
14DB-24D15N2	±15	±34	60	120	78	2

Input Specifications

Parameters	Conditions	Min	Typ	Max	Units
Voltage Tolerance	Vo, Io Nom			±10	%
Filter	Capacitor				

Output Specifications

Parameters	Conditions	Min	Typ	Max	Units
Voltage Tolerance	100% full load			±5	%
Short Circuit Protection	Continuous				
Line Regulation	For 1.0% OF Vin		1.2		%
Load Regulation	5V,9V (10% To 100% F.L)			15	%
Load Regulation	12~24V (10% To 100% F.L)			10	%
Load Regulation	±5V,±9V (10% To 100% F.L)			15	%
Load Regulation	±12~±24V (10% To 100% F.L)			10	%



Yuan Dean Scientific CO.,LTD 14DB SERIES

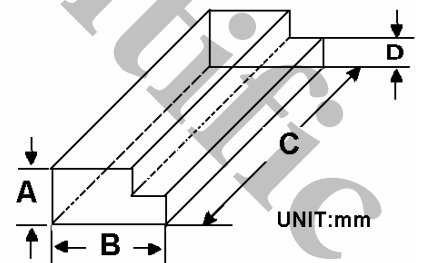
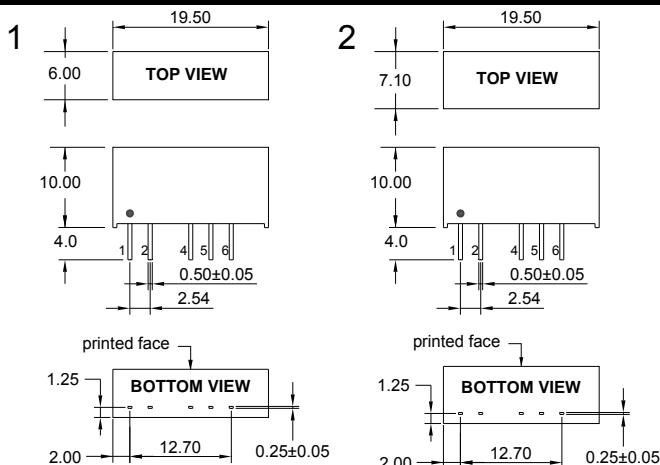
1000Vdc Isolation Single & Dual Output 1 Watt Dc-Dc Converter

General Specifications					
Parameters	Conditions	Min	Typ	Max	Units
Isolation Resistance	500Vdc	1000			MΩ
Switching Frequency	Full load,nominal input		100		KHz
Operating Temperature		-40		+105	°C
Storage Temperature		-55		+125	°C
Humidity	Non Condensing			95	%
Cooling	Free air Convection				
Case material	DAP				
MTBF	MIL-HDBK-217F@25°C	3500000			Hours
Weight	Package1 or Package2		2.1 or 2.7		g
Dimensions	Package1 or Package2			19.5x6.0x10.0 or 19.5x7.1x10.0	mm

Temperature Derating Graph	Part Number
	14DB - 05 S 05 N 2 A B C D E F A:Series B:Input Voltage C:Single(S)Dual(D) D:Output Voltage E:Unregulated(N) F:Package

Recommended Test Circuit	
5V :Cin 4.7uF,25V 5V :Cout 10uF,25V 12V:Cin 2.2uF,25V 9V :Cout 4.7uF,25V 15V:Cin 1uF,50V 12V:Cout 2.2uF,25V 24V:Cin 1uF,50V 15V:Cout 1uF,50V 24V:Cout 1uF,50V	5V :Cin 4.7uF,25V 5V :Cout 10uF,25V 12V:Cin 2.2uF,25V 9V :Cout 4.7uF,25V 15V:Cin 1uF,50V 12V:Cout 2.2uF,25V 24V:Cin 1uF,50V 15V:Cout 1uF,50V

Markings and dimensions Packaging



UNIT:mm Unless otherwise specified,all tolerances are ±0.25

PIN Connection					
PIN	1	2	4	5	6
Single	+Vin	-Vin	-Vout	No Pin	+Vout
Dual	+Vin	-Vin	-Vout	Com	+Vout

Size(mm)			
A	B	C	D
9.5	16.5	52.2	5.0