

RD-4W Series



4W 2:1 Regulated Single & Dual output

Features

- Wide 2:1 Input Range
- Full SMD Technology
- 1500 VDC Isolation, Up to 3500 VDC
- Continuous Short Circuit Protection
- Efficiency up to 80%
- -40 ~ 85°C Operating Temperature
- Plastic Case Standard, Optional Metal Case



The RD series is a family of cost effective 4W single & dual output DC-DC converters. These converters combine Plastic case in a 24-pin DIL package with high performance features such as 1500 VDC ~ 3500VDC input/output isolation voltage, continuous short circuit protection with automatic restart and high line / load regulation. Devices are encapsulated using flame retardant resin. Input voltages of 12, 24 and 48 with output voltage of 5, 9, 12, 15, 24, ±5, ±9, ±12, ±15 and ±24 Vdc. High performance features include high efficiency operation up to 80% and output voltage accuracy of ±1% maximum.

All specifications typical at Ta=25°C, nominal input voltage and full load unless otherwise specified

OUTPUT SPECIFICATIONS	
Voltage accuracy	±1%
Line regulation	±0.5%
Load regulation	±0.5%
Ripple & noise(20 MHz bandwidth)(1)	60mV pk-pk
Short circuit protection	Continuous
Temperature coefficient	±0.02%/°C
Capacitor load(2)	See table

INPUT SPECIFICATIONS	
Voltage Range	See table
Max. Input Current	See table
No-Load Input Current	See table
Input Filter	PI Type
Input Reflected Ripple Current(3)	35mA pk-pk

GENERAL SPECIFICATIONS	
Efficiency	See table, typ.
I/O Isolation Voltage(3 sec)	
Input/Output	1500~3500Vdc
Metal Case/Input & Output	1000Vdc
I/O Isolation Capacitance	60 pF typ.
I/O Isolation Resistance	1000M Ohm
Switching Frequency	100~400kHz
Humidity	95% rel H
Reliability Calculated MTBF(MIL-HDBK-217 F)	>1Mhrs
Safety Standard : (designed to meet)	IEC 60950-1

PHYSICAL SPECIFICATIONS	
Case Material	Non-conductive Black Plastic(UL94V-0 rated) Nickel-coated Copper
Base Material	Non-conductive Black Plastic(UL94V-0 rated)
Pin Material	Ø0.5mm Brass Solder-coated
Potting Material	Epoxy (UL94V-0 rated)
Weight	12.5g(Plastic Case)/15.0g(Metal Case)
Dimensions	1.25"x0.8"x0.4"

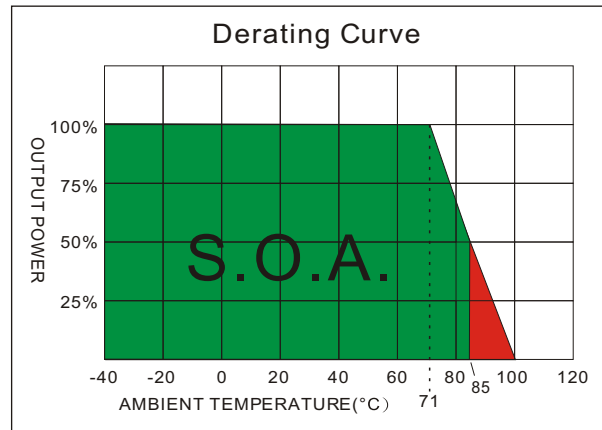
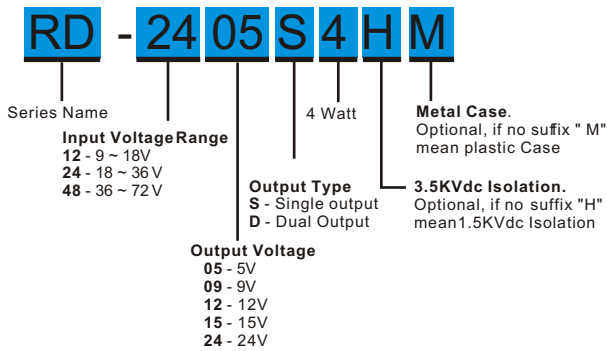
ENVIRONMENT SPECIFICATIONS	
Operating Temperature	-40°C~85°C(See Derating Curve) -40°C~71°C(For 100% load)
Maximum Case Temperature	100°C
Storage Temperature	-40°C~125°C
Cooling	Nature Convection

ABSOLUTE MAXIMUM RATINGS(4)	
These are stress ratings. Exposure of devices to any of these conditions may adversely affect long-term reliability.	
Input Surge Voltage(100mS)	
12 Models	24 Vdc,max.
24 Models	40 Vdc,max.
48 Models	80 Vdc,max.
Soldering Temperature (1.5mm from case 10sec. max.)	260°C max.

The information and specifications contained in this data sheet are believed to be correct at time of publication. However, MOTIEN Technologies accepts no responsibility for consequences arising from printing errors or inaccuracies. Specifications are subject to change without notice. No rights under any patent accompany the sale of any such product(s) or information contained herein.

RD - 4W 2:1 Regulated Single & Dual output

PART NUMBER STRUCTURE



MODEL SELECTION GUIDE

MODEL NUMBER	INPUT Voltage Range (Vdc)	INPUT Current		OUTPUT Voltage (Vdc)	OUTPUT Current		EFFICIENCY @FL (%)	Capacitor Load (uF)
		No-Load (mA)	Full Load (mA)		Min. load (mA)	Full load (mA)		
RD-1205S4	9-18	20	463	5	200	800	72	2200
RD-1209S4	9-18	20	427	9	111	444	78	470
RD-1212S4	9-18	20	427	12	83.3	333	78	470
RD-1215S4	9-18	20	433	15	66.8	267	77	470
RD-1224S4	9-18	20	439	24	42	167	76	220
RD-1205D4	9-18	20	433	±5	±100	±400	77	±1000
RD-1209D4	9-18	20	433	±9	±56	±222	77	±220
RD-1212D4	9-18	20	427	±12	±42	±167	78	±220
RD-1215D4	9-18	20	427	±15	±33	±133	78	±220
RD-1224D4	9-18	20	433	±24	±21	±83	77	±100
RD-2405S4	18-36	12	216	5	200	800	77	2200
RD-2409S4	18-36	12	214	9	111	444	78	470
RD-2412S4	18-36	12	211	12	83	333	79	470
RD-2415S4	18-36	12	208	15	67	267	80	470
RD-2424S4	18-36	12	216	24	42	167	77	220
RD-2405D4	18-36	12	216	±5	±100	±400	77	±1000
RD-2409D4	18-36	12	216	±9	±56	±222	77	±220
RD-2412D4	18-36	12	214	±12	±42	±167	78	±220
RD-2415D4	18-36	12	211	±15	±33	±133	79	±220
RD-2424D4	18-36	12	219	±24	±21	±83	76	±100
RD-4805S4	36-72	8	108	5	200	800	77	2200
RD-4809S4	36-72	8	108	9	111	444	77	470
RD-4812S4	36-72	8	107	12	83	333	78	470
RD-4815S4	36-72	8	107	15	67	267	77	470
RD-4824S4	36-72	8	111	24	42	167	75	220
RD-4805D4	36-72	8	114	±5	±100	±400	73	±1000
RD-4809D4	36-72	8	108	±9	±56	±222	77	±220
RD-4812D4	36-72	8	108	±12	±42	±167	77	±220
RD-4815D4	36-72	8	107	±15	±33	±133	78	±220
RD-4824D4	36-72	8	110	±24	±21	±83	76	±100

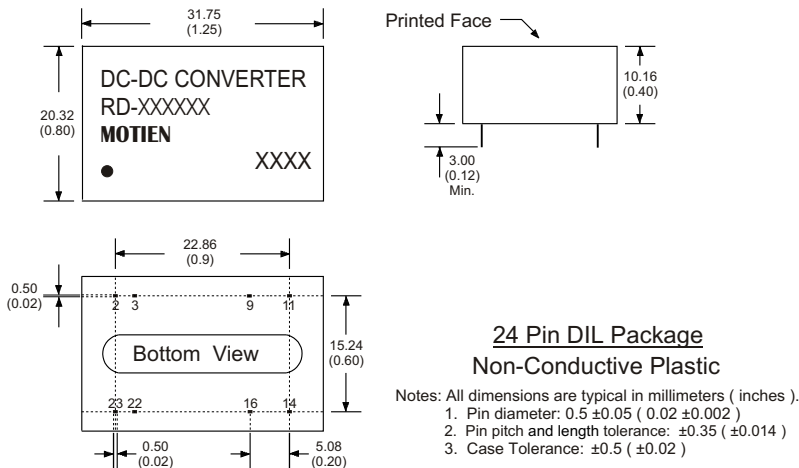
Suffix "H" means 3.5KVdc isolation
 Suffix "M" means Metal Case instead of standard Plastic case

RD - 4W 2:1 Regulated Single & Dual output

NOTE

1. Typical value at nominal input voltage and full load.
2. Test by nominal input voltage and constant resistor load.
3. Measured Input reflected ripple current with a simulated source inductance of 12uH.
4. Exceeding the absolute ratings of the unit could cause damage. It is not allowed for continuous operating.
5. Operation under no-load conditions will not damage these devices, however they may not meet all listed specifications.
6. It's necessary to add minimum capacitor in output for some models, please check single model datasheet for detail value.

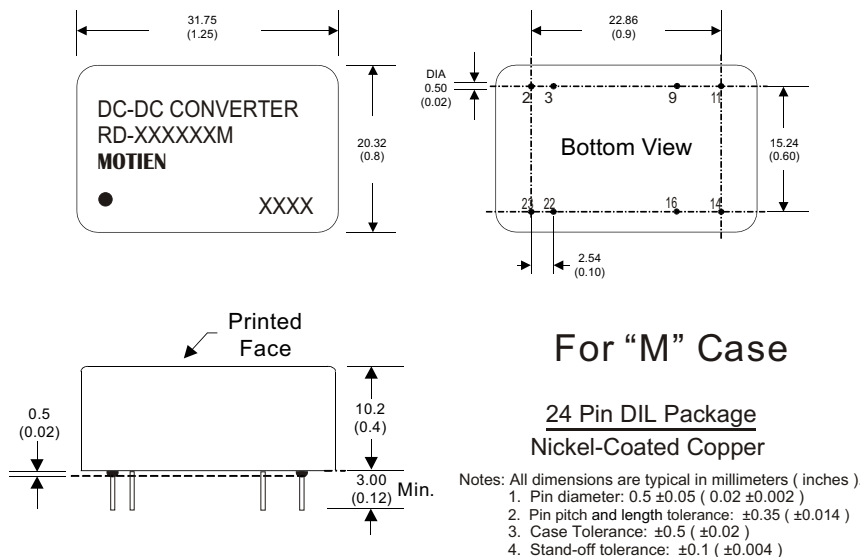
MECHANICAL SPECIFICATIONS FOR HIGH ISOLATION MODEL



PIN CONNECTIONS		
PIN NUMBER	SINGLE	DUAL
2	-V Input	-V Input
3	-V Input	-V Input
9	N.P.	Common
11	N.C.	-V Output
14	+V Output	+V Output
16	-V Output	Common
22	+V Input	+V Input
23	+V Input	+V Input

(The Pin Connection of high isolation one is the same with normal one.)

MECHANICAL SPECIFICATIONS



PIN CONNECTIONS		
PIN NUMBER	SINGLE	DUAL
2	-V Input	-V Input
3	-V Input	-V Input
9	N.P.	Common
11	N.C.	-V Output
14	+V Output	+V Output
16	-V Output	Common
22	+V Input	+V Input
23	+V Input	+V Input

(The Pin Connection of high isolation one is the same with normal one.)