

Unregulated
Case style: DIP24
Short circuit proof

INDUSTRIAL DC/DC Converters

3 Watt
Series: CFU

Electrical specifications:

Input voltage range: +/- 10% / @Uin=5V -5%/+10%
Output voltage accuracy: +/- 2% (Vin=nominal & full load)
+/- 5% (Uin<= 3,3V)
+/- 1% // +/- 1%
Line Vin/Vout:
Output voltage change: 3,3V, 5V output types 15% max.
(10% to 100%)
Efficiency: 9V ~ 24V output types 10% max.
min. 70% (min. 60% @ Uin=3,3V)
Output ripple & noise: typ. 100mVp-p
max. 200mVp-p @ Uin=3,3V

Short circuit protection: continuous / autorestart
Ambient temperature: -40°C to +71°C
Operating temperature: max. +105°C
Insulation test voltage: standard 1000V DC
Case material: black polycarbonate
Optional:
Part-No. /3 metalcase (not for high insulation voltage)
Part-No. /2 4kV AC rms insulation test voltage**
Part-No. /7 3kV DC insulation test voltage**
Part-No. /5 External -IN & -OUT/COM connection allowed
Part-No. /9 Automotiv -55°C to +85°C
** only with /0, /1, /8 pin connection available

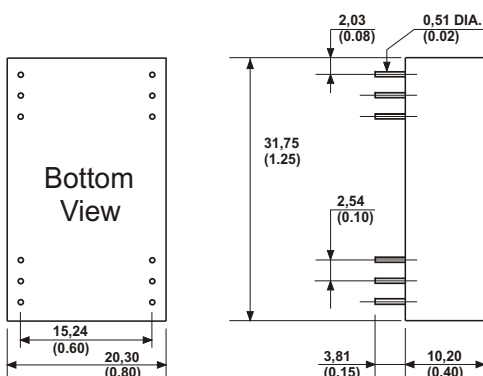
CAUTION: NO INPUT POLARITY CHANGE ALLOWED!

Part - No. Single	Input Voltage	Output Voltage	Output Current	Part - No. Dual	Input Voltage	Output Voltage	Output Current
CFU-03,301,6 CFU-03,306	3,3V	1,6V 6,0V	2000mA 400mA				
CFU-0505 CFU-0509 CFU-0512 CFU-0515	5V	5V 9V 12V 15V	600mA 330mA 250mA 200mA	CFU-0505D CFU-0512D CFU-0515D	5V	+/- 5V +/-12V +/-15V	+/-300mA +/-125mA +/-100mA
CFU-1205 CFU-1209 CFU-1212 CFU-1215	12V	5V 9V 12V 15V	600mA 330mA 250mA 200mA	CFU-1205D CFU-1212D CFU-1215D	12V	+/- 5V +/-12V +/-15V	+/-300mA +/-125mA +/-100mA
CFU-2405 CFU-2412 CFU-2415	24V	5V 12V 15V	600mA 250mA 200mA	CFU-2405D CFU-2412D CFU-2415D	24V	+/- 5V +/-12V +/-15V	+/-300mA +/-125mA +/-100mA
CFU-4805 CFU-4812 CFU-4815	48V	5V 12V 15V	600mA 250mA 200mA	CFU-4805D CFU-4812D CFU-4815D	48V	+/- 5V +/-12V +/-15V	+/-300mA +/-125mA +/-100mA

Any other output voltages available

PIN CONNECTION:

All pins on a 2,54mm pitch;
NP = No Pin, NC = No connection



ALL DIMENSIONS IN MM (INCHES)
MILLIMETERS +/- 0,25mm / INCHES +/- 0,01"

