

RCC Mode converter
 Case style: 2" x 1"

INDUSTRIAL DC/DC Converters

6 Watt
 Series: ERW2

Electrical specifications:

Ambient temperature: -40°C to +71°C
 Operating temperature: max. +105°C
 Input voltage: 4,5 - 6V
 Output voltage accuracy: +/- 3%
 Line regulation: +/- 0,2%
 Load regulation: +/-1%
 Efficiency: min. 60%
 Short circuit protection: fully protected
 Output Ripple / Noise: typ. 50mV / 150mVp-p

Insulation test voltage: 1000V DC
 Part-Nr. /3: 3kV AC rms
 with 3,3V Output voltage/ output wattage
 reduced to 4 Watt

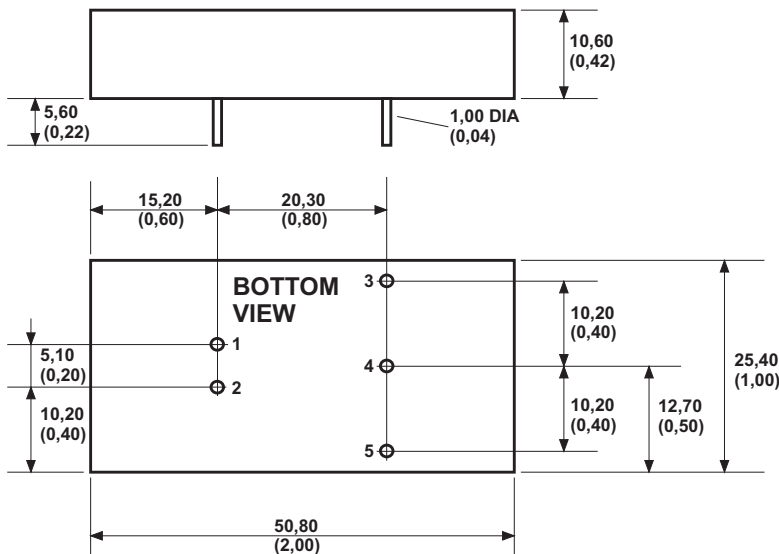
Five sided metal shield
 Input frequency varies along with input voltage
 and load between 200kHz - 550kHz
 Part-No. /5 External -IN & -OUT / COM connection allowed

CAUTION: NO INPUT POLARITY CHANGE ALLOWED!

Part - No. Single	Input Voltage	Output Voltage	Output Current	Part - No. Dual	Input Voltage	Output Voltage	Output Current
ERW2-0503,3	5V DC	3,3V	1818mA	ERW2-0505D	5V DC	± 5V	±600mA
ERW2-0505	(4,5-6V)	5V	1200mA	ERW2-0512D	(4,5-6V)	±12V	±250mA
ERW2-0512		12V	500mA	ERW2-0515D		±15V	±200mA
ERW2-0515		15V	400mA				

A MUST: Input capacitor 1000µF/10V
 & output capacitor 2000µF
 (2x1000µF or 4x470µF)
 for 3,3V and 5V output !!

Any other output voltages available



PIN	PIN CONNECTION:	
	Single	Dual
1	+ Input	+ Input
2	- Input	- Input
3	+ Output	+ Output
4	NP	Common
5	- Output	- Output

ALL DIMENSIONS IN MM (INCHES)
 MILLIMETERS +/- 0,5mm
 (INCHES +/- 0,02")

Specification may be changed without notice
 please contact office for verification

We can offer EMC - Filter
 according to EN55011/22 Class B.

RCC Mode converter
 Case style: 2" x 1"

INDUSTRIAL DC/DC Converters

6 Watt
 Series: ERW2- /E

Electrical specifications:

Ambient temperature: -40°C to +71°C
 Operating temperature: max. +105°C
 Input voltage: wide 1:2
 Output voltage accuracy: +/- 3%
 Line regulation: +/- 0,5%
 Load regulation: +/-1%
 Efficiency: min. 60%

Short circuit protection: fully protected
 Output Ripple / Noise: typ. 50mV / 250mVp-p
 Insulation test voltage: 3kV AC rms
 Double Section Transformer
 Input frequency varies along with input voltage
 and load between 200kHz - 700kHz
 Case material: polycarbonate

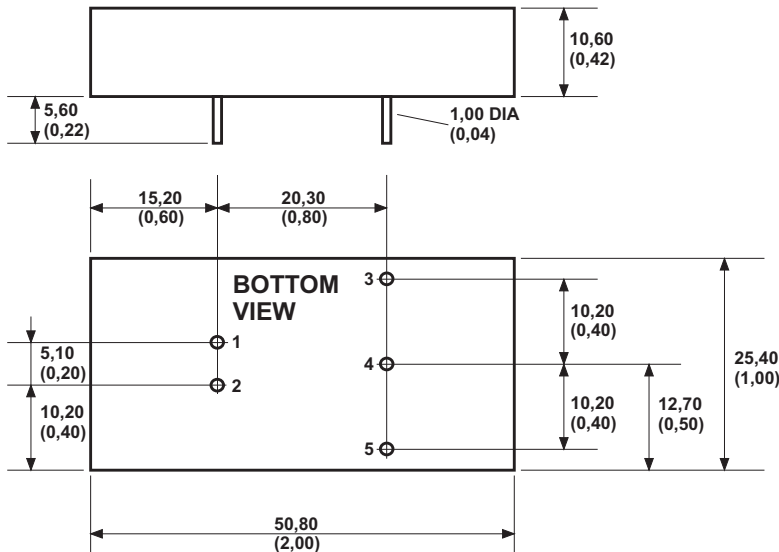
CAUTION: NO INPUT POLARITY CHANGE ALLOWED!

Part - No. Single	Input Voltage	Output Voltage	Output Current
ERW2-6024/E	40-80V	24V	250mA

Any other in & output voltages available

A MUST:

Input capacitor 4,7µF/100V
 & output capacitor 220µF/35V !!



PIN	PIN CONNECTION:	
	Single	
1	+ Input	
2	- Input	
3	+ Output	
4	NP	
5	- Output	

ALL DIMENSIONS IN MM (INCHES)
 MILLIMETERS +/- 0,5mm
 (INCHES +/- 0,02")

Specification may be changed without notice
 please contact office for verification

We can offer EMC - Filter
 according to EN55011/22 Class B.