

FLYBACK
 Case style: 2" x 1"

INDUSTRIAL
DC/DC Converters
EN60950 / EN61010

Stand: 08/09
6 Watt
 Series: EIH

REINFORCED INSULATION
LINE OPERATING

With FILTERS - Rectifier + Tank capacitor it can be operated from AC-LINE Voltage !!

Electrical specifications:

Ambient temperature: -40°C to +71°C
 Operating temperature: max. +105°C
 Output voltage accuracy: +/- 3%
 Line regulation: +/- 0,2%
 Load regulation: +/- 1%
 Short circuit protection: full protection

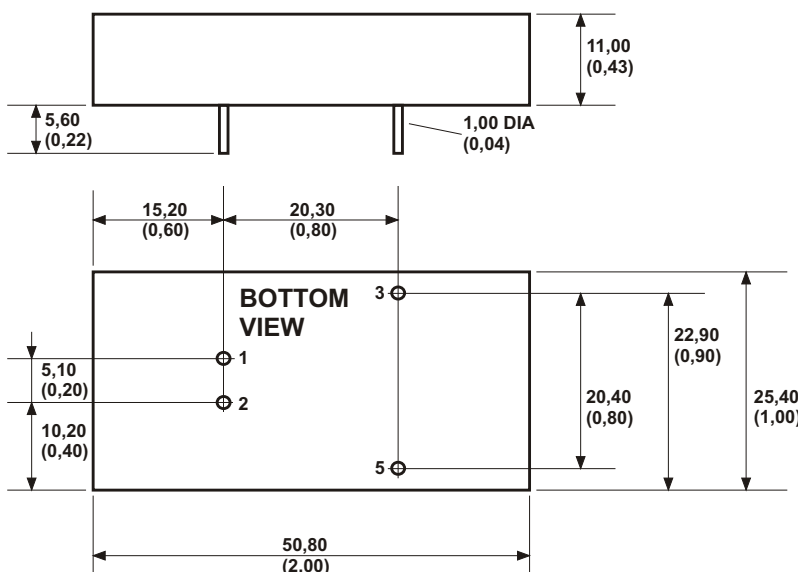
Efficiency: min. 65%
 Output ripple & noise: typ. 500mVp-p**
 ** With additional electrolytic capacitor approx. 105°C Output R&N 50mV typ.
 Insulation test voltage: 3000V AC rms
 SAFETY: EN60950 / EN61010
 Case material: polycarbonate

CAUTION: NO INPUT POLARITY CHANGE ALLOWED!

6 Watt

Part - No. Single	Input Voltage DC	Output Voltage	Output Current
EIH-11030	110V (90-190V)	30V	200mA

Any other output voltages available



PIN CONNECTION:	
Single	
1	+ Input
2	- Input
3	+ Output
4	NO PIN
5	- Output

ALL DIMENSIONS IN MM (INCHES)
 MILLIMETERS +/- 0,5mm
 (INCHES +/- 0,02")

Specification may be changed without notice
 please contact office for verification

We can offer EMC - Filter
 according to EN55011/22 Class B.