

Regulated  
 Case style: DIP 16

# COMMERCIAL DC/DC Converters

2 Watt  
 Series: AW2

### Electrical specifications:

Input voltage range: wide 2 : 1  
 Output voltage accuracy:  $\pm 2\%$  typ.  
 Line Voltage regulation:  $\pm 0,5\%$  max.  
 Load Voltage regulation:  $\pm 0,5\%$  typ.  
 (20% to 100% full load)  
 Efficiency: 70% min./ 80% typ.

Output Ripple & Noise: max. 50mVp-p continuous  
 Short circuit protection: -40°C to +85°C  
 Operating temperature: min. 1500V DC  
 Isolation voltage: min. 2000V DC  
 optional Part-Nr.: /H2 min. 3000V DC  
 /H3  
 /X isolation capacitance max. 20pF  
 /SMD SMD package

\*\* Note: Measured @25°C with the condition of Vin = nominal and full load

CAUTION: NO INPUT POLARITY CHANGE ALLOWED!

2Watt				2Watt			
Part - No. single output	Input Voltage	Output Voltage	Output Current	Part - No. dual output	Input Voltage	Output Voltage	Output Current
AW2-xx03,3	5V (4,5-9V)	3,3V	500mA	AW2-xx05D	5V (4,5-9V)	+/- 5V	+/-200mA
AW2-xx05	12V (9-18V)	5V	400mA	AW2-xx09D	12V (9-18V)	+/- 9V	+/-111mA
AW2-xx09	24V (18-36V)	9V	222mA	AW2-xx12D	24V (18-36V)	+/- 12V	+/- 83mA
AW2-xx12	48V (36-72V)	12V	166mA	AW2-xx15D	48V (36-72V)	+/- 15V	+/- 67mA
AW2-xx15		15V	134mA				

Any other output voltages available

ALL DIMENSIONS IN MM  
 MILLIMETERS +/- 0,35mm  
 All pins on a 2,54mm pitch.

Unit : mm  
 Tolerance :  $\pm 0,35$ mm

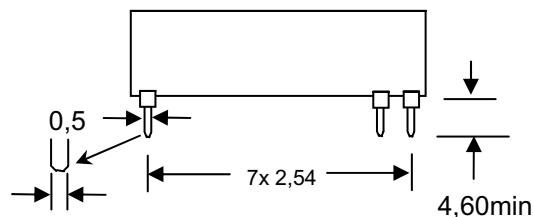
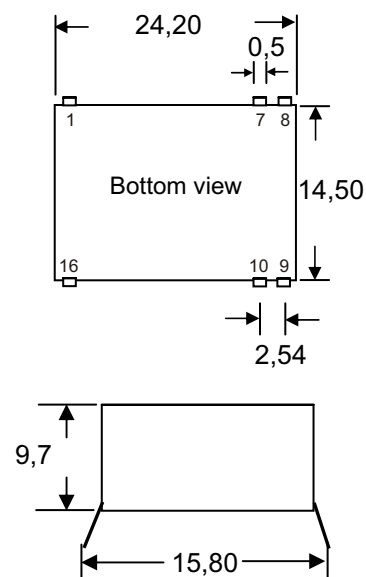
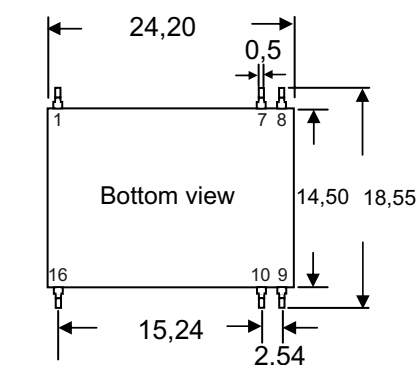
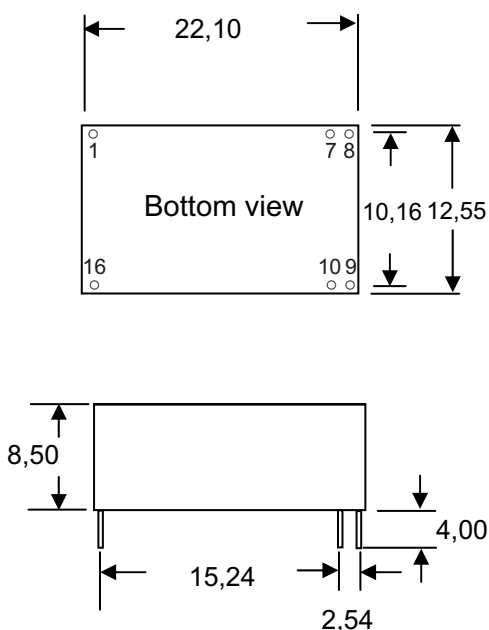
Note: Dot denotes pin 1

16 PIN DIP B Package  
 (only standart option)

PIN CONNECTIONS		
PIN	SINGLE OUTPUT	DUAL OUTPUT
1	-Vin(GND)	-Vin(GND)
7	NC	NC
8	NC	Com
9	+Vout	+Vout
10	-Vout	-Vout
16	+Vin	+Vin

16 PIN DIP SMD Package

16 PIN DIP A Package



Specification may be changed without notice  
 please contact office for verification

We can offer EMC - Filter  
 according to EN55011/22 Class B.