

Wide input range 1:2
 Case style: 2" x 1"

COMMERCIAL DC/DC Converters PWM - regulated

10 Watt / 15 Watt
 Series: EW2

Electrical specifications:

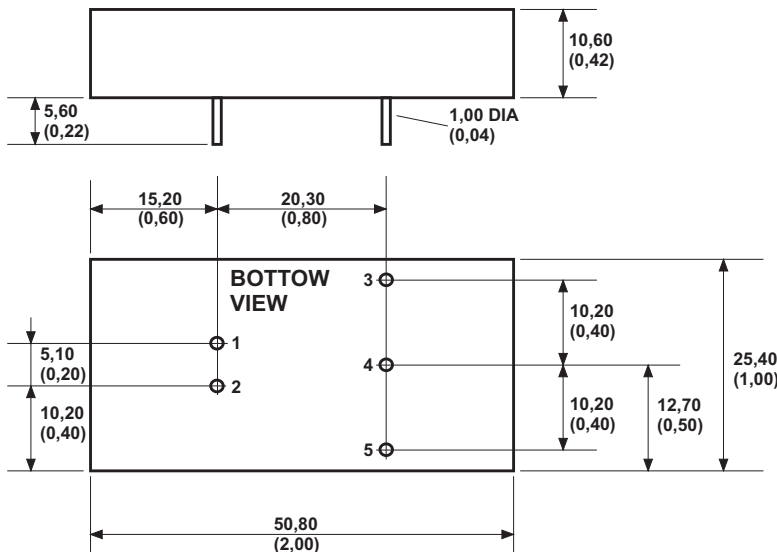
Input voltage: wide 1:2
 Input Pi-Filter: .
 Output voltage accuracy: +/- 2%
 Line regulation: +/- 1%
 Load regulation: 10% to 100% FL Single +/-0,5%
 Dual +/-1%

Efficiency: min. 75%
 Output Ripple & Noise: typ. 100mVp-p
 Short circuit protection: continuous
 Operating temperature: -25°C to +85°C
 Isolation voltage: min. 1600V DC
 Five-sided metal shield

CAUTION: NO INPUT POLARITY CHANGE ALLOWED!

Part - No. Single	Input Voltage	Output Voltage	10 Watt		15 Watt		Part - No. Dual	Input Voltage	Output Voltage	10 Watt		15 Watt	
			Output Current	Output Current	Output Current	Output Current							
EW2-1205	12V DC	5V	2000mA	3000mA	EW2-1205D	12V DC	+/- 5V	+/-1000mA	+/-1500mA				
EW2-1212	(9-18V)	12V	830mA	1250mA	EW2-1212D	(9-18V)	+/-12V	+/- 416mA	+/- 625mA				
EW2-1215		15V	670mA	1000mA	EW2-1215D		+/-15V	+/- 333mA	+/- 500mA				
EW2-2405	24V DC	5V	2000mA	3000mA	EW2-2405D	24V DC	+/- 5V	+/-1000mA	+/-1500mA				
EW2-2412	(18-36V)	12V	830mA	1250mA	EW2-2412D	(18-36V)	+/-12V	+/- 416mA	+/- 625mA				
EW2-2415		15V	670mA	1000mA	EW2-2415D		+/-15V	+/- 333mA	+/- 500mA				
EW2-4805	48V DC	5V	2000mA	3000mA	EW2-4805D	48V DC	+/- 5V	+/-1000mA	+/-1500mA				
EW2-4812	(36-72V)	12V	830mA	1250mA	EW2-4812D	(36-72V)	+/-12V	+/- 416mA	+/- 625mA				
EW2-4815		15V	670mA	1000mA	EW2-4815D		+/-15V	+/- 333mA	+/- 500mA				

Any other output voltages available



PIN CONNECTION:		
PIN	Single	Dual
1	+ Input	+ Input
2	- Input	- Input
3	+ Output	+ Output
4	NO PIN	Common
5	- Output	- Output

ALL DIMENSIONS IN MM (INCHES)
 MILLIMETERS +/-0,5mm
 (INCHES +/- 0,02")

Specification may be changed without notice
 please contact office for verification

We can offer EMC - Filter
 according to EN55011/22 Class B.

Wide input range 1:2
 Case style: 2" x 1"

COMMERCIAL DC/DC Converters PWM - regulated

10 Watt /15 Watt
 Series: EW2- /G

Electrical specifications:

Input voltage: wide 1:2
 Input Pi-Filter:
 Output voltage accuracy: +/- 2%
 Line regulation: +/- 0,2%
 Load regulation: +/- 0,2% (10% to 100% load)

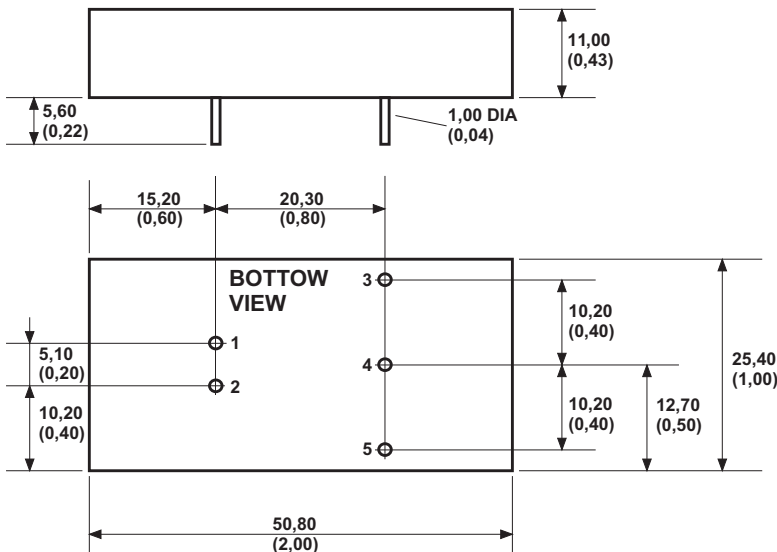
Efficiency: min. 70%
 Output Ripple & Noise: typ. 100mVp-p
 Short circuit protection: continuous
 Operating temperature: -25°C to +71°C
 Isolation voltage: min. 1000V DC
 Five-sided metal shield

CAUTION: NO INPUT POLARITY CHANGE ALLOWED!

			10 Watt	15 Watt				10 Watt	15 Watt
Part - No. Single	Input Voltage	Output Voltage	Output Current	Output Current	Part - No. Dual	Input Voltage	Output Voltage	Output Current	Output Current
EW2-1205/G	12V DC	5V	2000mA	3000mA	EW2-1205D/G	12V DC	+/- 5V	+/-1000mA	+/-1500mA
EW2-1212/G	(9-18V)	12V	830mA	1250mA	EW2-1212D/G	(9-18V)	+/-12V	+/- 416mA	+/- 625mA
EW2-1215/G		15V	670mA	1000mA	EW2-1215D/G		+/-15V	+/- 333mA	+/- 500mA
EW2-2405/G	24V DC	5V	2000mA	3000mA	EW2-2405D/G	24V DC	+/- 5V	+/-1000mA	+/-1500mA
EW2-2412/G	(18-36V)	12V	830mA	1250mA	EW2-2412D/G	(18-36V)	+/-12V	+/- 416mA	+/- 625mA
EW2-2415/G		15V	670mA	1000mA	EW2-2415D/G		+/-15V	+/- 333mA	+/- 500mA
EW2-4805/G	48V DC	5V	2000mA	3000mA	EW2-4805D/G	48V DC	+/- 5V	+/-1000mA	+/-1500mA
EW2-4812/G	(36-72V)	12V	830mA	1250mA	EW2-4812D/G	(36-72V)	+/-12V	+/- 416mA	+/- 625mA
EW2-4815/G		15V	670mA	1000mA	EW2-4815D/G		+/-15V	+/- 333mA	+/- 500mA

Input range 4,5V - 9V also available !
 (for single output only)

Any other output voltages available
 (for example 6,3V)



PIN CONNECTION:		
PIN	Single	Dual
1	+ Input	+ Input
2	- Input	- Input
3	+ Output	+ Output
4	NO PIN	Common
5	- Output	- Output

ALL DIMENSIONS IN MM (INCHES)
 MILLIMETERS +/-0,5mm
 (INCHES +/- 0,02")

Specification may be changed without notice
 please contact office for verification

We can offer EMC - Filter
 according to EN55011/22 Class B.

DC/DC Converter
 AC/DC Inverters
 Delay-Lines
 Pulsetransformers
 Burst & Surge Filters
 Harmonic Filters
 Switching Power Supplies

Am Malfinger Steig 13
 86920 Denklingen/Obb.
 Germany
 Tel.: 08243-9693-0
 Fax: 08243-9693-33
 www.floeth-electronic.com



Stand: 40/07

Wide input range 1:2
 Case style: 2" x 1"

COMMERCIAL DC/DC Converters PWM - regulated

20 Watt
 Series: EW2- /G

Electrical specifications:

Input voltage: wide 1:2
 Input Pi-Filter:
 Output voltage accuracy: +/- 2% max.
 Line regulation: +/- 0,5% max.
 Load regulation: +/- 0,5% max.
 Minimum Load: 10% of full load

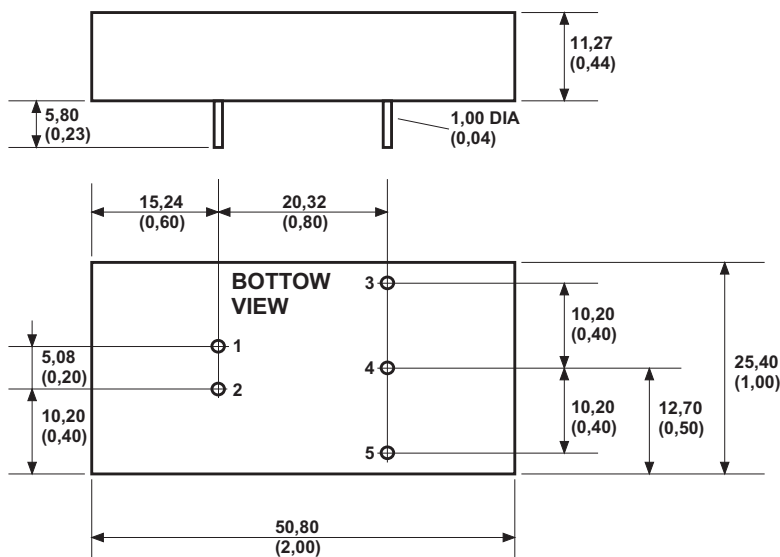
Efficiency: min. 76%
 Output Ripple & Noise: typ. 150mVp-p max.
 Short circuit protection: continuous
 Operating temperature: -25°C to +71°C
 Isolation voltage: min. 1000V DC
 Five-sided metal shield

CAUTION: NO INPUT POLARITY CHANGE ALLOWED!

20 Watt				20 Watt			
Part - No. Single	Input Voltage	Output Voltage	Output Current	Part - No. Dual	Input Voltage	Output Voltage	Output Current
EW2-1203,3/G	12V DC (9-18V)	3,3V	5000mA	EW2-1205D/G	12V DC (9-18V)	+/- 5V	+/-2000mA
EW2-1205/G		5V	4000mA	EW2-1212D/G		+/-12V	+/- 830mA
EW2-1215/G		15V	1330mA	EW2-1215D/G		+/-15V	+/- 660mA
EW2-2403,3/G	24V DC (18-36V)	3,3V	5000mA	EW2-2405D/G	24V DC (18-36V)	+/- 5V	+/-2000mA
EW2-2405/G		5V	4000mA	EW2-2412D/G		+/-12V	+/- 830mA
EW2-2415/G		15V	1330mA	EW2-2415D/G		+/-15V	+/- 660mA
EW2-4803,3/G	48V DC (36-72V)	3,3V	5000mA	EW2-4805D/G	48V DC (36-72V)	+/- 5V	+/-2000mA
EW2-4805/G		5V	4000mA	EW2-4812D/G		+/-12V	+/- 830mA
EW2-4815/G		15V	1330mA	EW2-4815D/G		+/-15V	+/- 660mA

Input voltage range 4:1 (9-36V & 18-72V)
 also available !

Any other output voltages available



PIN CONNECTION:		
PIN	Single	Dual
1	+ Input	+ Input
2	- Input	- Input
3	+ Output	+ Output
4	NO PIN	Common
5	- Output	- Output

ALL DIMENSIONS IN MM (INCHES)
 MILLIMETERS +/-0,5mm
 (INCHES +/- 0,02")

Specification may be changed without notice
 please contact office for verification

We can offer EMC - Filter
 according to EN55011/22 Class B.