

Features

- Ultraminiature 25.4 x 25.4 x 9.9mm Package
- 15 Watts Output Power
- Single and Dual Outputs
- 1.6kVDC Isolation
- Fixed Operating Frequency
- Six-Sided Continuous Shield
- Industry Standard Pinout
- Remote On/Off and Trim pins
- Efficiency to 89%

Description

The RP15-SA series are ultraminiature power DC/DC converters in a case half the size of industry standard 15W converters. Despite their small size, the RP15-SA converters are fully specified devices with output currents up to 4 Amps, no minimum load, 1600VDC isolation and low ripple/noise figures. The outputs are also fully protected against short circuits, overcurrent and overvoltage. The RP15-SA series will find many uses in applications where board space and/or board height is at a premium.

Selection Guide 24V and 48V Input Types

Part Number	Input Range VDC	Output Voltage VDC	Output Current mA	Input Current mA	Efficiency ⁽²⁾ %	Capacitive ⁽³⁾ Load max.
RP15-123.3SA**	9-18	3.3	4000	120/1375	84	1000µF
RP15-1205SA**	9-18	5	3000	90/1524	86	1000µF
RP15-1212SA**	9-18	12	1300	40/1605	85	330µF
RP15-1215SA**	9-18	15	1000	40/1506	87	220µF
RP15-243.3SA**	18-36	3.3	4000	50/671	86	1000µF
RP15-2405SA**	18-36	5	3000	65/763	86	1000µF
RP15-2412SA**	18-36	12	1300	20/783	87	330µF
RP15-2415SA**	18-36	15	1000	20/744	88	220µF
RP15-483.3SA**	36-75	3.3	4000	40/336	86	1000µF
RP15-4805SA**	36-75	5	3000	40/372	88	1000µF
RP15-4812SA**	36-75	12	1300	15/387	88	330µF
RP15-4815SA**	36-75	15	1000	15/372	88	220µF
RP15-1205DA**	9-18	±5	±1500	30/1543	85	±500µF
RP15-1212DA**	9-18	±12	±625	30/1506	87	±150µF
RP15-1215DA**	9-18	±15	±500	30/1488	87	±100µF
RP15-2405DA**	18-36	±5	±1500	20/772	85	±500µF
RP15-2412DA**	18-36	±12	±625	15/744	88	±150µF
RP15-2415DA**	18-36	±15	±500	25/744	88	±100µF
RP15-4805DA**	36-75	±5	±1500	15/386	85	±500µF
RP15-4812DA**	36-75	±12	±625	15/368	89	±150µF
RP15-4815DA**	36-75	±15	±500	20/372	88	±100µF

** Standard part is without suffixes and Trim and CTRL pins are not fitted.

* add suffix /P for CTRL function with positive logic (1=ON, 0=OFF) including trim pin for single output

* add suffix /N for CTRL function with negative logic (0=ON, 1=OFF) including trim pin for single output

* add suffix -HC for premounted heatsink and clips

Ordering Examples

RP15-2405SA/P = 24V Input, 5V Output, Positive Logic CTRL pin and Trim pin fitted

RP15-4805DA-HC = 48V Input, ±5V Output, Heatsink fitted

Derating graphs are valid only for the shown part numbers. If you need detailed derating-information about a part-number not shown here please contact our technical support service at info@recom-development.at

POWERLINE

DC/DC-Converter

with 3 year Warranty

RECOM

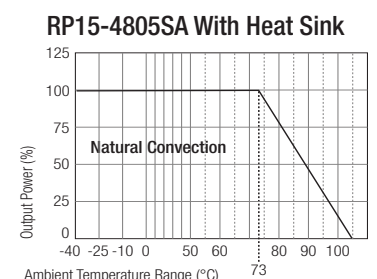
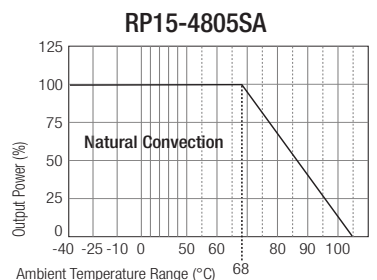
15 Watt Single & Dual Output



**UL-60950-1 Certified
E196683**

RP15-A

Derating-Graph (Ambient Temperature)



Refer to Application Notes

Specifications (typical at nominal input and 25°C unless otherwise noted)

Input Voltage Range	12V nominal input	9-18VDC
	24V nominal input	18-36VDC
	48V nominal input	36-75VDC
Input Filter		Pi Type
Input Surge Voltage (100 ms max.)	12V Input	36VDC
	24V Input	50VDC
	48V Input	100VDC
Input Reflected Ripple (nominal Vin and full load) ⁽⁴⁾		30mA _{p-p}
Start Up Time (nominal Vin and constant resistor load)		30ms max.
Optional Remote ON/OFF ⁽⁵⁾ (Negative logic)	DC-DC ON	Short or 0V < Vr < 1.2V
	DC-DC OFF	Open or 3.0V < Vr < 12V
Remote Pin drive current	Nominal Vin	-0.5mA~1.0mA
Remote OFF input current	Nominal Vin	2.5mA
Output Voltage Accuracy (full Load and nominal Vin)		±1%
Optional Output Trim ⁽⁶⁾		±10%
Minimum Load		0%
Line Regulation (low line, high line at full load)	Single	±0.2%
	Dual	±0.5%
Load Regulation (0% to full load)	Single	±0.2%
	Dual	±1%
Cross Regulation (Asymmetrical 25% <>100% load)	Dual Output	±5%
Ripple and Noise (20MHz bandwidth, with 1µF MLCC on output)	3.3, 5V Outputs	75mV _{p-p}
	Others	100mV _{p-p}
Temperature Coefficient		±0.02%/°C max.
Transient Response	25% load step change	250µs
Over Voltage Protection	3.3V	3.7-5.4V
Zener diode clamp (only single)	5V	5.4-7.0V
	12V	13.5-19.6V
	15V	16.8-20.5V
Over Load Protection (% of full load at nominal Vin)		150% typ
Undervoltage Lockout		See Application Notes
Short Circuit Protection		Hiccup, automatic recovery
Efficiency		see „Selection Guide“ table
Isolation Voltage (rated for one minute)		1600VDC
Isolation Resistance		1 GΩ min.
Isolation Capacitance		1000pF max
Operating Frequency		400kHz typ.
Operating Temperature Range		-40°C to +85°C(with derating)
Maximum Case Temperature		+105°C
Storage Temperature Range		-55°C to +125°C

continued on next page

Specifications (typical at nominal input and 25°C unless otherwise noted)

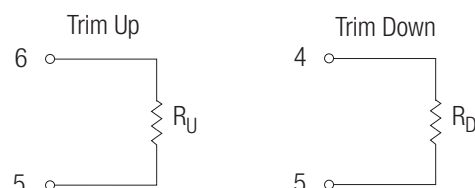
Thermal Impedance ⁽⁶⁾	Natural convection	18.2°C/Watt
	Natural convection with Heat Sink	15.8°C/Watt
Thermal Shock		MIL-STD-810F
Vibration		10-55Hz, 10G, 30 Min. along X, Y and Z
Relative Humidity		5% to 95% RH
Case Material		Nickel plated copper
Base Material		FR4 PCB
Potting Material		Epoxy (UL94-V0)
Conducted Emissions ⁽⁷⁾	EN55022	Class A
Radiated Emissions	EN55022	Class A
ESD	EN61000-4-2	Perf. Criteria A
Radiated Immunity	EN61000-4-3	Perf. Criteria A
Fast Transient	EN61000-4-4	Perf. Criteria A
Surge ⁽⁸⁾	EN61000-4-5	Perf. Criteria A
Conducted Immunity	EN61000-4-6	Perf. Criteria A
Weight		15g
Packing Quantity	Refer to App Notes for tube dimensions	8 pcs per Tube
Dimensions		25.4 x 25.4 x 9.9mm
MTBF ⁽⁹⁾	Bellcore TR-NWT-000332	1330 x 10 ³ hours
	MIL-HDBK 217F	563 x 10 ³ hours

Notes :

1. Values at nominal input voltage and no load/full load.
2. Typical Value at nominal input voltage and full load.
3. Test by minimum V_{in} and constant resistor load.
4. Simulated source impedance of 12 μ H. 12 μ H inductor in series with + V_{in} .
5. The ON/OFF control function can be positive or negative logic. The pin voltage is referenced to negative input.
Positive logic ON/OFF is marked with suffix-P (eg. RP15-2405SA/P)
Negative logic ON/OFF is marked with suffix-N (eg. RP15-2405SA/N).
If no suffix is specified, the control pin will be omitted.
6. Optional Heat-sink P/N is 7G-0047-C. Powerline DC/DC Converters can be ordered with pre-mounted heatsinks including antivibration fixing clips (add suffix -HC). See Application Notes for heatsink details.
7. Meets Class A with external input capacitors shown below. Will meet Class B with external common mode filter (see Application Notes)
8. Requires external capacitor to meet EN61000-4-5: 220 μ F/100V, low ESR (48mOhm)
9. BELLCORE TR-NWT-000332. Case I: 50% Stress, Temperature at 40°C.
MIL-HDBK 217F Notice 2. $T_a = 25^\circ\text{C}$, full load, (Ground, Benign, controlled environment).

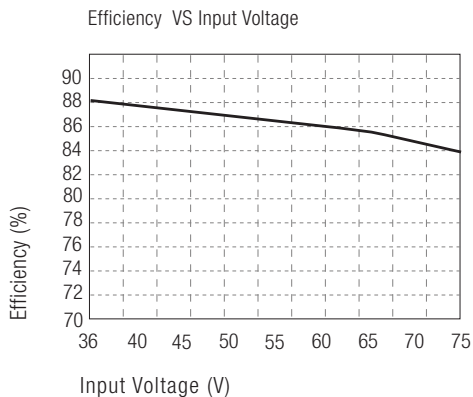
External Output Trimming (optional)

With suffix /CTRL, the output can be externally trimmed by using the method shown here.
See Application Notes for details

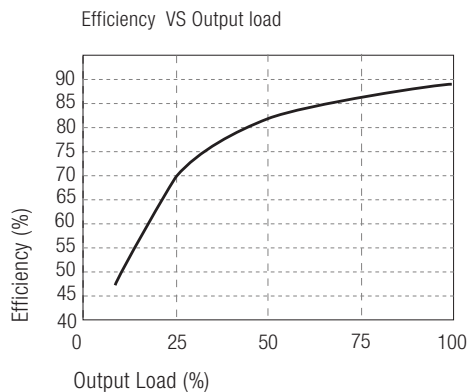


Typical Characteristics

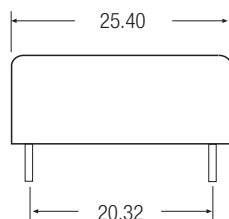
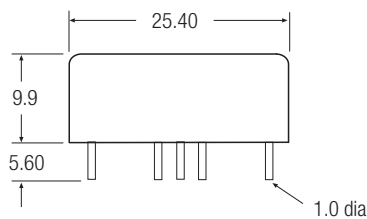
RP15-4805SA



RP15-4805SA



Package Style and Pinning (mm)

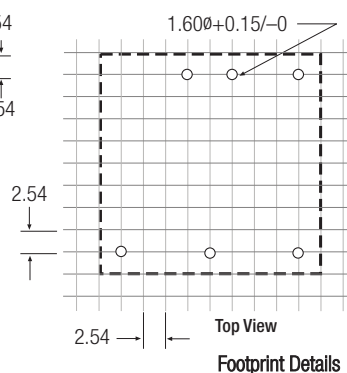
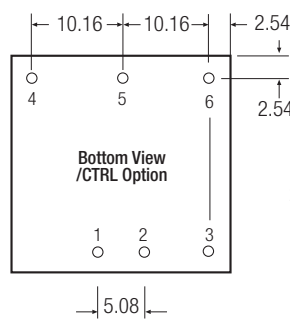
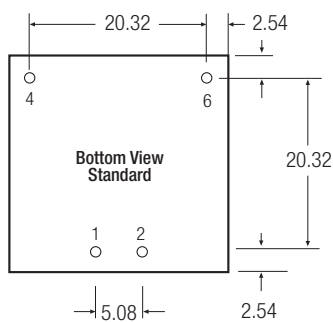


Pin Connections

Pin #	Single	Single/ P or /N	Dual	Dual/ P or /N
1	+Vin	+Vin	+Vin	+Vin
2	-Vin	-Vin	-Vin	-Vin
3	no pin	CTRL	no pin	CTRL
4	+Vout	+Vout	+Vout	+Vout
5	no pin	Trim	Com	Com
6	-Vout	-Vout	-Vout	-Vout

Case Tolerance ± 0.5 mm

Pin Pitch Tolerance ± 0.25 mm

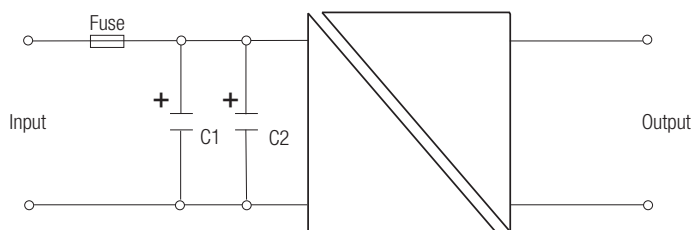


RP15-A

EMC Filtering - For Class B filter suggestion, see Application Notes

Class A Filter

Vin=12V: C1=10 μ F/25V 1812 MLCC, C2 omitted.
 Vin=24V: C1=6.8 μ F/50V 1812 MLCC, C2 omitted.
 Vin=48V: C1, C2 = 2.2 μ F/100V 1812 MLCC



The product information and specifications are subject to change without prior notice. All products are designed for non-safety critical commercial and industrial applications. The Buyer agrees to implement safeguards that anticipate the consequences of any failures that might cause harm, loss of life and/or damage property.