

Features:

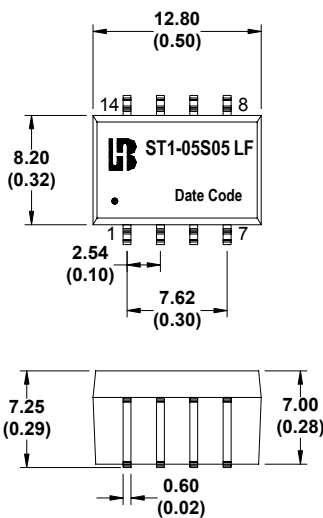
- Input Filter With Internal Capacitor
- Lead Frame & Injection Technology
- High Efficiency Up to 83%
- Input / Output Isolation 1.5K Vdc
- 100% Burn-In
- Un-Regulated type
- Net Weight : 1.6 g / 2.1 g Typical
- Custom Design Available

Technical Specification(1/2):

Model No.	Input Voltage (Vdc)	Output Voltage (Vdc)	Output Current (mA) Max	Input Current @No Load (mA) Typ.	Input Current @Max. Load (mA) Typ.	Output Ripple (mV) Max.	Load Regulation (%) Max.	Efficiency (%)Typ.
1) Single Output Series								
ST1-05S3R3 LF	5	3.3	200	22	171	60	± 12	77
ST1-05S05 LF		5	200	25	246	60	± 8	81
ST1-05S09 LF		9	110	23	254	70	± 8	78
ST1-05S12 LF		12	84	25	252	100	± 8	80
ST1-05S15 LF		15	67	28	248	120	± 8	81
ST1-12S3R3 LF	12	3.3	200	12	73	60	± 12	75
ST1-12S05 LF		5	200	15	100	60	± 8	81
ST1-12S09 LF		9	110	15	105	70	± 8	78
ST1-12S12 LF		12	84	15	103	100	± 6	81
ST1-12S15 LF		15	67	14	100	120	± 6	83
ST1-24S3R3 LF	24	3.3	200	6	44	60	± 8	67
ST1-24S05 LF		5	200	7	63	60	± 5	71
ST1-24S09 LF		9	110	6	60	70	± 5	73
ST1-24S12 LF		12	84	8	58	100	± 5	76
ST1-24S15 LF		15	67	8	58	120	± 5	77

Mechanical Dimensions (1/2):

Single Output Series



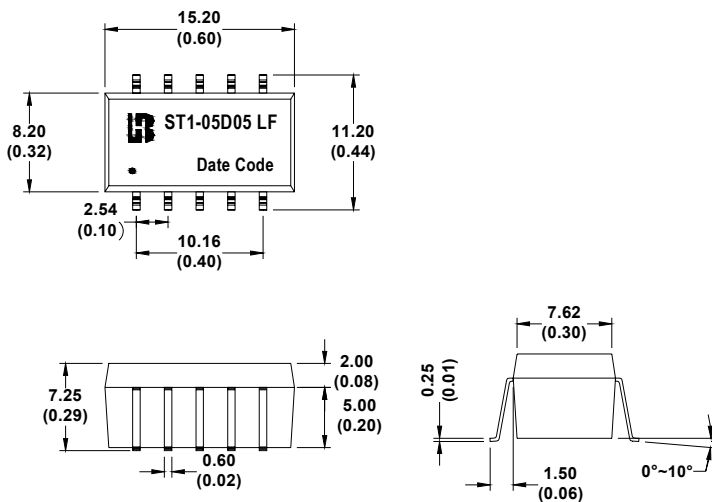
Pin	Single		Pin
1	-Vin	NA	14
3	+Vin	NA	12
5	NA	NA	10
7	-Vo	+Vo	8

Technical Specification (2/2):

Model No.	Input Voltage (Vdc)	Output Voltage (Vdc)	Output Current (mA) Max	Input Current @No Load (mA) Typ.	Input Current @Max. Load (mA) Typ.	Output Ripple (mV) Max.	Load Regulation (%) Max.	Efficiency (%)Typ.
2) Dual Output Series								
ST1-05D05 LF	5	± 5	± 100	28	281	60	± 8	71
ST1-05D09 LF		± 9	± 56	24	256	70	± 8	78
ST1-05D12 LF		± 12	± 42	24	258	100	± 8	78
ST1-05D15 LF		± 15	± 34	26	252	120	± 8	81
ST1-12D05 LF	12	± 5	± 100	15	114	60	± 8	73
ST1-12D09 LF		± 9	± 56	15	106	70	± 8	79
ST1-12D12 LF		± 12	± 42	15	104	100	± 6	81
ST1-12D15 LF		± 15	± 34	15	102	120	± 6	83
ST1-24D3R3 LF	24	± 3.3	± 100	6	45	60	± 8	66
ST1-24D05 LF		± 5	± 100	7	58	60	± 5	76
ST1-24D09 LF		± 9	± 56	8	57	70	± 5	78
ST1-24D12 LF		± 12	± 42	7	56	100	± 5	80
ST1-24D15 LF		± 15	± 34	10	60	120	± 5	75

Mechanical Dimensions (2/2):

Dual Output Series



Pin	1.5K Vdc - Dual		Pin
1	-Vin	NA	18
3	+Vin	NA	16
5	NA	NA	14
7	Common	+Vo	12
9	-Vo	NA	10